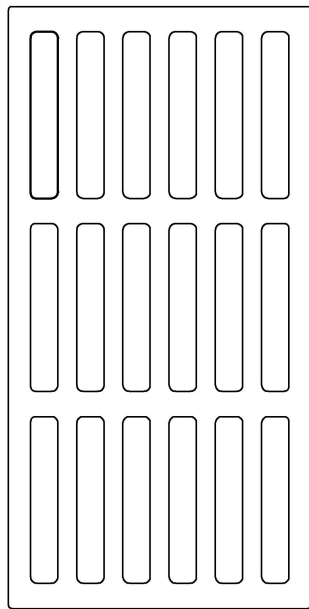
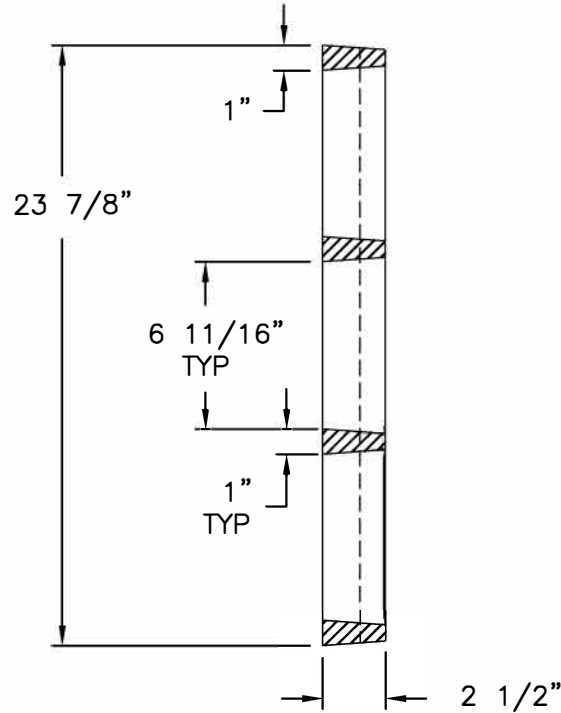


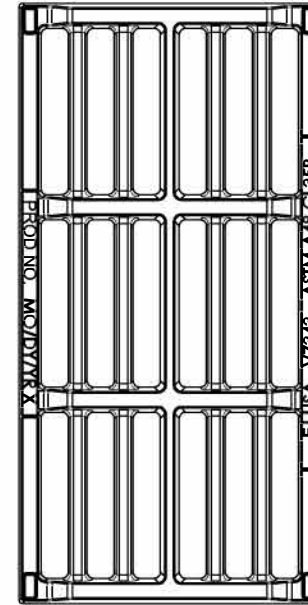
V7343 Trench Grate



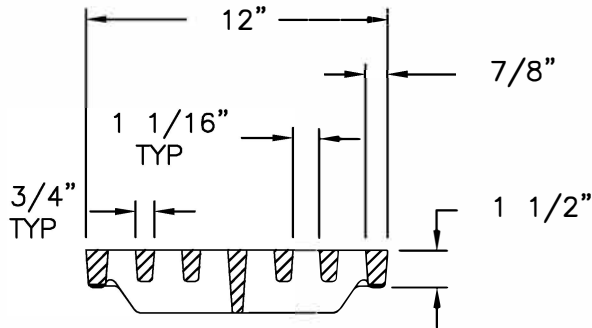
GRATE TOP VIEW



GRATE SECTION



BOTTOM VIEW



GRATE SECTION

Product Number

47343030

Design Features

- Materials
Gray Iron (CL35B)
- Design Load
Heavy Duty
- Open Area
128 SQ. IN.
- Coating
Undipped
- ✓ Designates Machined Surface

Certification

- ASTM A48
-
-
- Country of Origin: USA



Drawing Revision

08/24/2005 Designer: DEW
10/08/2014 Revised By: DAE

Disclaimer

Weights (lbs./kg) dimensions (inches/mm) and drawings provided for your guidance. We reserve the right to modify specifications without prior notice.

CONFIDENTIAL: This drawing is the property of EJ GROUP, Inc., and embodies confidential information, registered marks, patents, trade secret information, and/or know how that is the property of EJ GROUP, Inc. Copyright © 2011 EJ GROUP, Inc. All rights reserved.

Contact

877.903.7246
www.trenchdrainsupply.com